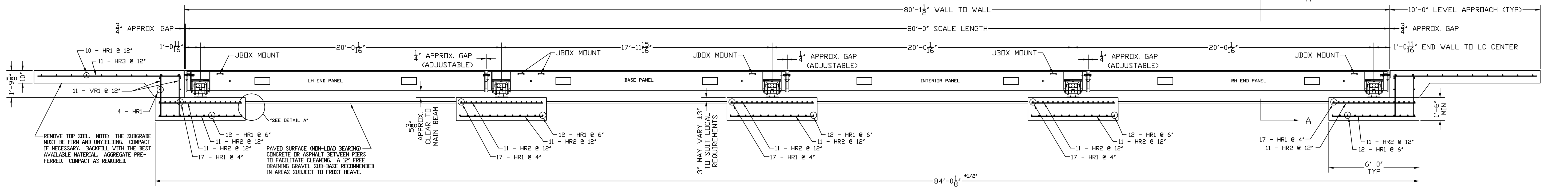


INSTALL (2) 3/4" x 8'-0" LONG GROUND RODS (TO PROJECT 3") ONE FOR GROUNDING INITIALS/POWER SUPPLY, ONE FOR GROUNDING SCALE/WEIGHBRIDGE. POWER SUPPLY GROUND MUST BE SEPARATE FROM WEIGHBRIDGE GROUND. TWO GROUND RODS ARE SUPPLIED WITH SCALE.

1" MIN. CONDUIT (BY OTHERS) FOR CABLE FROM JUNCTION BOX TO SCALE/HOUSE. CONDUIT TO EXTEND 2" ABOVE THE TOP OF PIER.

PLAN VIEW

N.I.S.T. H-44 REQUIRES THAT ON THE APPROACH ENDS OF THIS VEHICLE SCALE, THERE SHALL BE A STRAIGHT APPROACH AT LEAST 30 FEET LONG, NOT LESS THAN 10 FEET IF ANY APPROACH ADJACENT TO THE PLATFORM SHALL BE LEVEL AND CONSTRUCTED OF CONCRETE OR SIMILAR DURABLE MATERIAL. ANY SLOPE IN THE REMAINING PORTION OF THE APPROACH SHALL ENSURE EASE OF VEHICLE ACCESS, EASE FOR TESTING PURPOSES, AND DRAINAGE AWAY FROM THE SCALE.



ELEVATION SECTION

REMOVE TOP SOIL. NOTE: THE SUBGRADE MUST BE FIRM AND UNYIELDING. COMPACT IF NECESSARY. BACKFILL WITH THE BEST AVAILABLE MATERIAL. AGGREGATE PRE-FERRED. COMPACT AS REQUIRED.

PAVED SURFACE (NON-LOAD BEARING) CONCRETE OR ASPHALT BETWEEN PIERS TO FACILITATE CLEANING. A 12" FREE DRAINING GRAVEL SUB-BASE RECOMMENDED IN AREAS SUBJECT TO FROST HEAVE.

APPROX. CLEAR TO MAIN BEAM

3" MAY VARY 43" TO SUIT LOCAL REQUIREMENTS

NOTES:

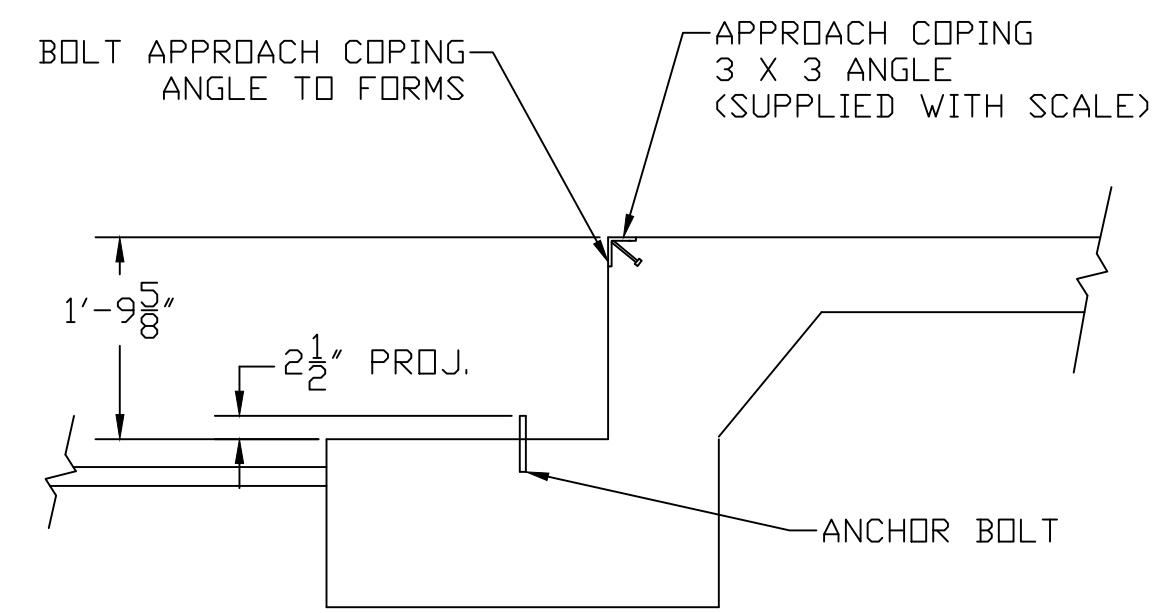
- FOUNDATION SHOWN IS DESIGNED FOR SOILS WITH A MINIMUM BEARING CAPACITY OF 3000 PSF AND ADEQUATE DRAINAGE. IF SOIL CONDITIONS DO NOT MEET THESE REQUIREMENTS, ADJUST FOUNDATION OR SOIL CONDITIONS AS REQUIRED.
- IN AREAS OF THE COUNTRY WHERE THERE IS SEVERE FREEZING, INCREASE THE DEPTH OF THE FOUNDATION SO THAT THE BOTTOM EXTENDS BELOW THE FROST LINE, OR PROVIDE A MINIMUM OF 12" FREE DRAINING GRANULAR MATERIAL TO PREVENT FROST HEAVE.
- N.I.S.T. H-44 REQUIREMENTS AND LOCAL WEIGHTS AND MEASURES REGULATIONS MAY REQUIRE INSTALLATION PARAMETERS SOMEWHAT DIFFERENT THAN ILLUSTRATED ON THIS PLAN. IN ORDER TO INSURE COMPLIANCE, CONSULT THE LOCAL WEIGHTS & MEASURES OFFICE PRIOR TO CONSTRUCTION.
- REFER TO SCALE MANUAL FOR INSTALLATION AND OPERATION INSTRUCTIONS.
- A MINIMUM OF 24" OF CLEARANCE IS REQUIRED ON JUNCTION BOX SIDE OF THE SCALE NEAR THE BOX MOUNTS.

FOUNDATION CONCRETE REQUIREMENTS	
4000 P.S.I.	
AREA	QUANTITIES
PIERS AS SHOWN	18.5 CU. YD.
APPROACHES	9 CU. YD.
FLOOR AT 2" THICK	3.5 CU. YD.
TOTAL	31 CU. YD.

FOUNDATION REINFORCING BAR SCHEDULE					
ASTM A615 GRADE 60					
MARK	NO.	REQ'D.	SIZE	LENGTH	WT.
HR1	173	#4	10'-6"		1213
HR2	110	#4	5'-6"		404
HR3	22	#4	9'-6"		140
VRI	44	#4	2'-9"		81
TOTAL WT.:					1838

REINFORCING STEEL NOTES:

- REINFORCING STEEL SHALL BE FREE OF ALL MUD, DEBRIS, CEMENT GROUT, LOOSE RUST, GREASE, AND OIL.
- TACK WELDING OF BARS IS PROHIBITED.



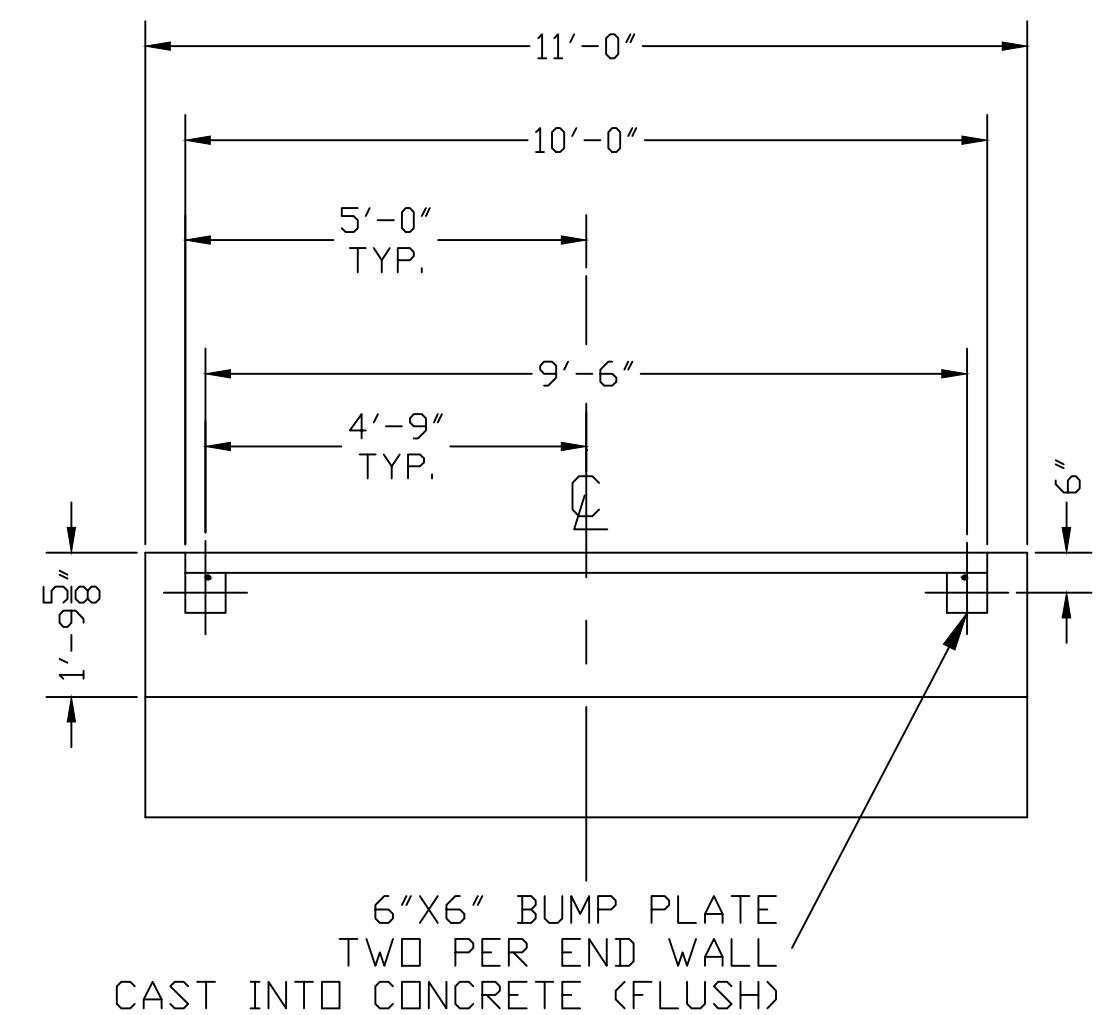
DRILL TYPE ANCHOR INFORMATION (DRILL TYPE ANCHORS PROVIDED WITH THE SCALE)

FOR THE LC STANDS (20 REQUIRED)

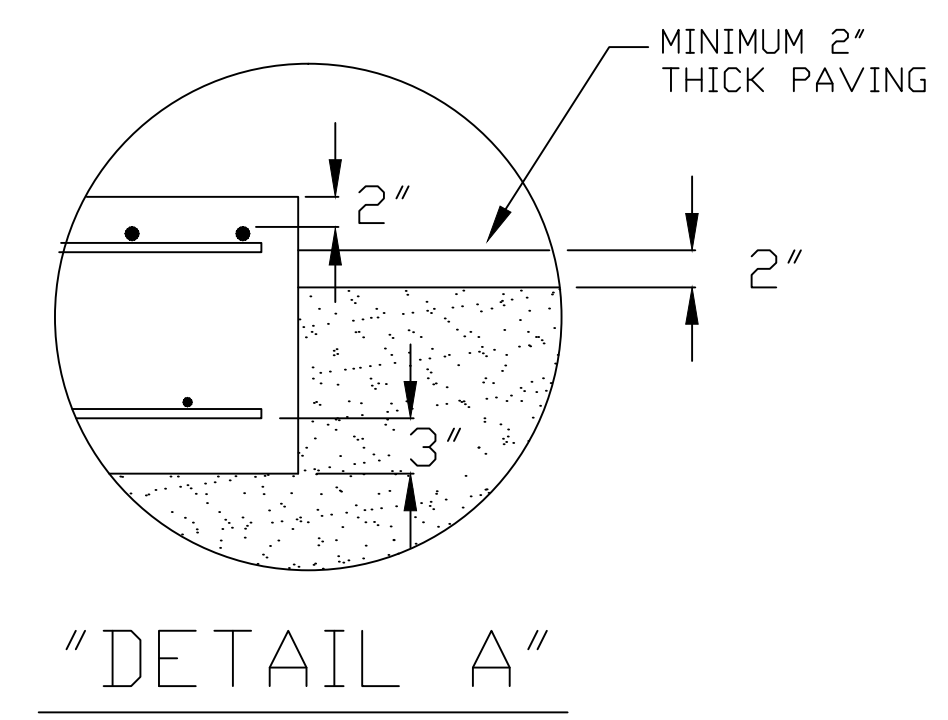
5/8 DIA X 6" STUD TYPE ANCHORS

DRILL DIA 5/8", DRILL DEPTH 3 1/2"

ANCHOR DETAIL



SECTION A-A END WALL/BUMPS



"DETAIL A"

THIS DRAWING IS SUPPLIED AS CHECKED BELOW:

REFERENCE (ESTIMATES ONLY, NOT FOR CONSTRUCTION)

CERTIFIED FOR CONSTRUCTION, THURMAN #

CUSTOMER: _____ DATE: _____

CUSTOMER APPROVAL, RETURN ONE COPY. (ORDER ON HOLD UNTIL SIGNED COPY IS RETURNED)

APPROVED AS DRAWN, APPROVED BY: _____ DATE: _____

APPROVED AS NOTED, APPROVED BY: _____ DATE: _____

LET	BY	DATE	REVISION
1	JCR	9/26/11	MOVED BASE MIDDLE TO CENTER OF SCALE

THURMAN SCALE

COLUMBUS, OH

8560 DIAMONDBACK XD

130K CLC 80" X 10'

FOUNDATION (5 SECTION, DB LC)

DATE: 6/24/08

SCALE: N/A

DRAWN BY: NDC

CHECKED BY: _____

APPROVED BY: _____

DRAWING NUMBER: 92443-FT

SHEET 1 OF 1

REVISION: 1

THE MATERIAL AND INFORMATION CONTAINED HEREIN IS CONFIDENTIAL AND IS THE PROPERTY OF THURMAN SCALE COMPANY AND IS NOT TO BE USED, DISCLOSED, COPIED, TRANSFERRED, OR REPRODUCED WITHOUT THE PRIOR WRITTEN PERMISSION OF THURMAN SCALE COMPANY.

UNLESS OTHERWISE SPECIFIED: DIMENSIONS ARE IN INCHES TOLERANCES: FRACTIONS 1/8" 3-PLACE DECIMAL 0.005 2-PLACE DECIMAL 0.05 HOLE DIAMETERS 1/32"

MATERIAL: A36 FINISH: N/A