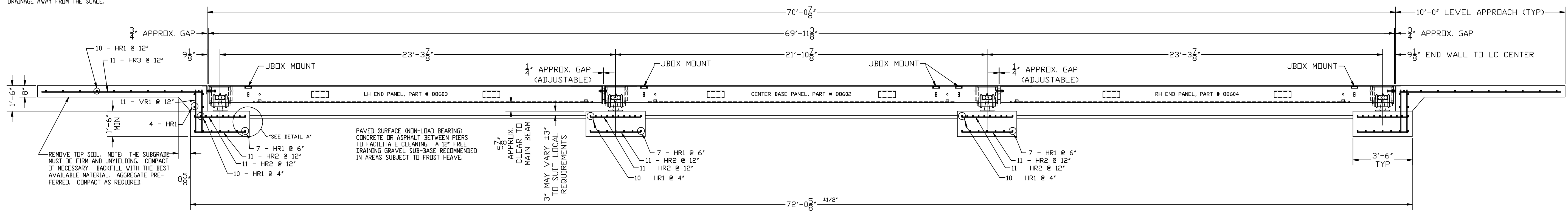


N.I.S.T. H-44 REQUIRES THAT ON THE APPROACH ENDS OF THIS VEHICLE SCALE, THERE SHALL BE A STRAIGHT APPROACH AT LEAST 35 FEET LONG. NOT LESS THAN 10 FEET IF ANY APPROACH ADJACENT TO THE PLATFORM SHALL BE LEVEL AND CONSTRUCTED OF CONCRETE OR SIMILAR DURABLE MATERIAL. ANY SLOPE IN THE REMAINING PORTION OF THE APPROACH SHALL INSURE EASE OF VEHICLE ACCESS, EASE FOR TESTING PURPOSES, AND DRAINAGE AWAY FROM THE SCALE.

INSTALL (2) 3/4" x 8'-0" LONG GROUND RODS (TO PROJECT 3")
 ONE FOR GROUNDING INTALOGIX POWER SUPPLY,
 ONE FOR GROUNDING SCALE WEIGHBRIDGE.
 POWER SUPPLY GROUND MUST BE SEPARATE FROM WEIGHBRIDGE GROUND. TWO GROUND RODS ARE SUPPLIED WITH SCALE.

PLAN VIEW



ELEVATION SECTION

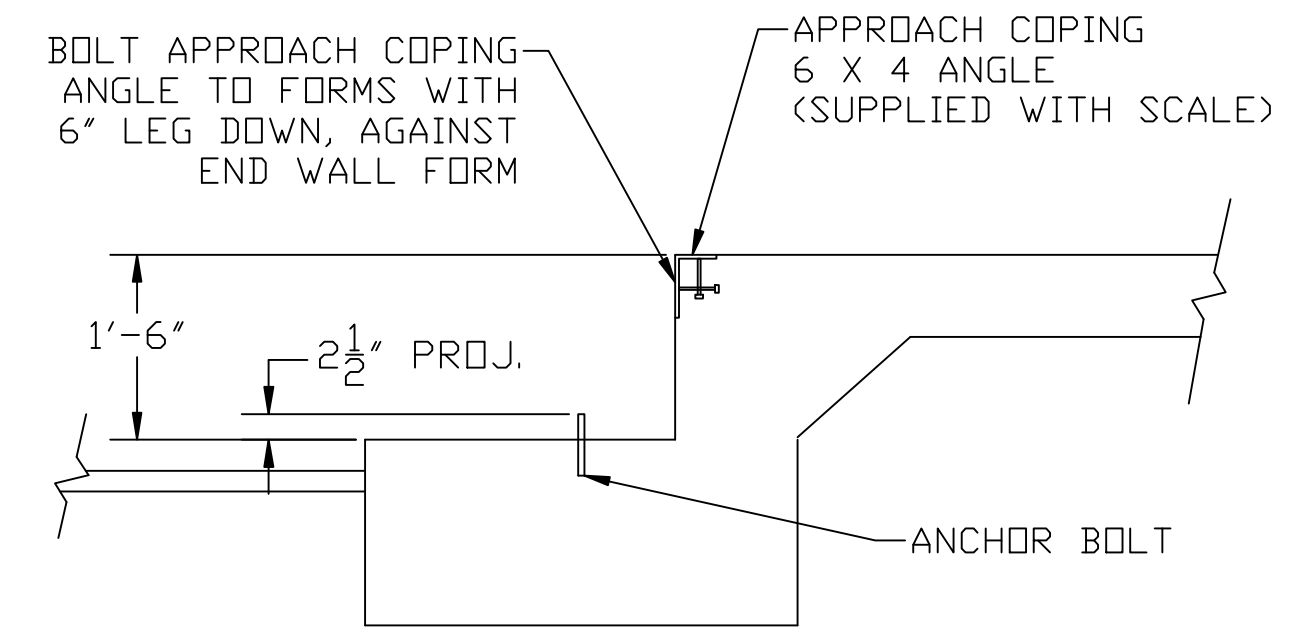
NOTES:

- FOUNDATION SHOWN IS DESIGNED FOR SOILS WITH A MINIMUM BEARING CAPACITY OF 3000 PSF AND ADEQUATE DRAINAGE. IF SOIL CONDITIONS DO NOT MEET THESE REQUIREMENTS, ADJUST FOUNDATION OR SOIL CONDITIONS AS REQUIRED.
- IN AREAS OF THE COUNTRY WHERE THERE IS SEVERE FREEZING, INCREASE THE DEPTH OF THE FOUNDATION SO THAT THE BOTTOM EXTENDS BELOW THE FROST LINE, OR PROVIDE A MINIMUM OF 12" FREE DRAINING GRANULAR MATERIAL TO PREVENT FROST HEAVE.
- N.I.S.T. H-44 REQUIREMENTS AND LOCAL WEIGHTS AND MEASURES REGULATIONS MAY REQUIRE INSTALLATION PARAMETERS SOMEWHAT DIFFERENT THAN ILLUSTRATED ON THIS PLAN. IN ORDER TO INSURE COMPLIANCE, CONSULT THE LOCAL WEIGHTS & MEASURES OFFICE PRIOR TO CONSTRUCTION.
- REFER TO SCALE MANUAL FOR INSTALLATION AND OPERATION INSTRUCTIONS.
- A MINIMUM OF 24" OF CLEARANCE IS REQUIRED ON JUNCTION BOX SIDE OF THE SCALE NEAR THE BOX MOUNTS.

FOUNDATION CONCRETE REQUIREMENTS 4000 P.S.I.	
AREA	QUANTITIES
PIERS AS SHOWN	9 CU. YD.
APPROACHES	7 CU. YD.
FLOOR AT 2" THICK	4 CU. YD.
TOTAL	20 CU. YD.

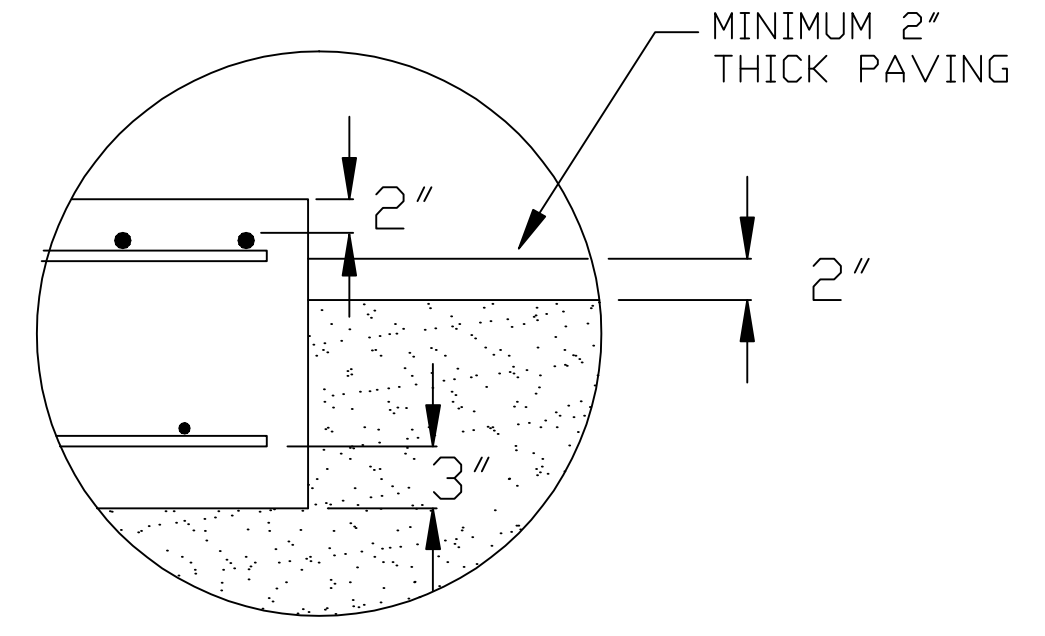
FOUNDATION REINFORCING BAR SCHEDULE ASTM A615 GRADE 60					
MARK	NO.	REQ'D.	SIZE	LENGTH	WT.
HR1	96	#4	10'-6"	674	
HR2	88	#4	3'-0"	177	
HR3	22	#4	9'-6"	140	
VR1	44	#4	2'-6"	74	
TOTAL WT:					1,065

REINFORCING STEEL NOTES:
 1. REINFORCING STEEL SHALL BE FREE OF ALL MUD, DEBRIS, CEMENT GROUT, LOOSE RUST, GREASE, AND OIL.
 2. TACK WELDING OF BARS IS PROHIBITED.



DRILL TYPE ANCHOR INFORMATION
 (DRILL TYPE ANCHORS PROVIDED WITH THE SCALE)
 FOR THE LC STANDS (16 REQUIRED)
 5/8 DIA X 6" STUD TYPE ANCHORS
 DRILL DIA 5/8", DRILL DEPTH 3 1/2"

ANCHOR DETAIL



"DETAIL A"

THIS DRAWING IS SUPPLIED AS CHECKED BELOW:
 REFERENCE (ESTIMATES ONLY, NOT FOR CONSTRUCTION)
 CERTIFIED FOR CONSTRUCTION, THURMAN#
 CUSTOMER: _____ DATE: _____
 CUSTOMER APPROVAL, RETURN ONE COPY.
 (ORDER ON HOLD UNTIL SIGNED COPY IS RETURNED)
 APPROVED AS DRAWN, APPROVED BY: _____ DATE: _____
 APPROVED AS NOTED, APPROVED BY: _____ DATE: _____
 TOLERANCES (UNLESS OTHERWISE SPECIFIED): ± 1/8"
 DIMENSIONS ARE IN INCHES
 UNLESS OTHERWISE SPECIFIED:

THURMAN
 scale
 255 E. LIVINGSTON AVE.
 COLUMBUS, OHIO 43215
 PH: (614) 221-9077
 FAX: (614) 221-8879

This drawing is the property of Thurman Scale Company and is loaned to the recipient for his/her confidential use only. In consideration of the loan of this drawing, the recipient promises and agrees that it shall not be used in any way detrimental to the interest of Thurman Scale Company, that it shall be returned upon request, and that it shall not be reproduced, copied, loaned or otherwise disposed of, directly or indirectly without the express written consent of Thurman Scale Company.

TITLE
 8560 DIAMONDBACK 90K CLC 70' X 11'
 FOUNDATION (4 SECTION, DB LC)

DRAWING NUMBER 92383-FT

REV 1