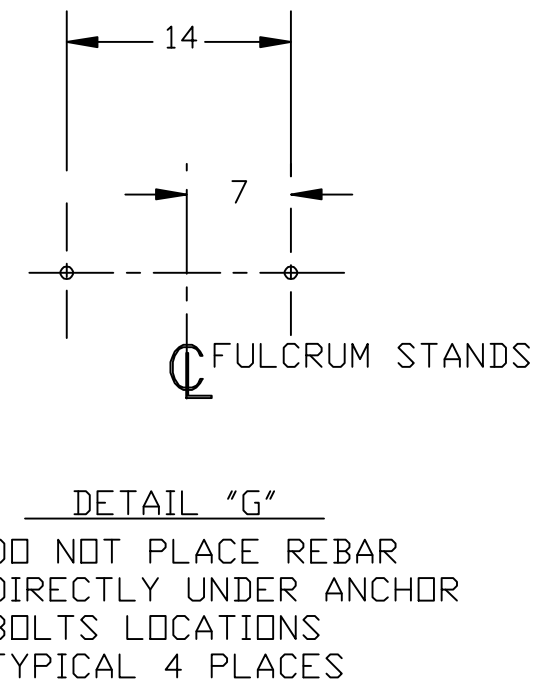
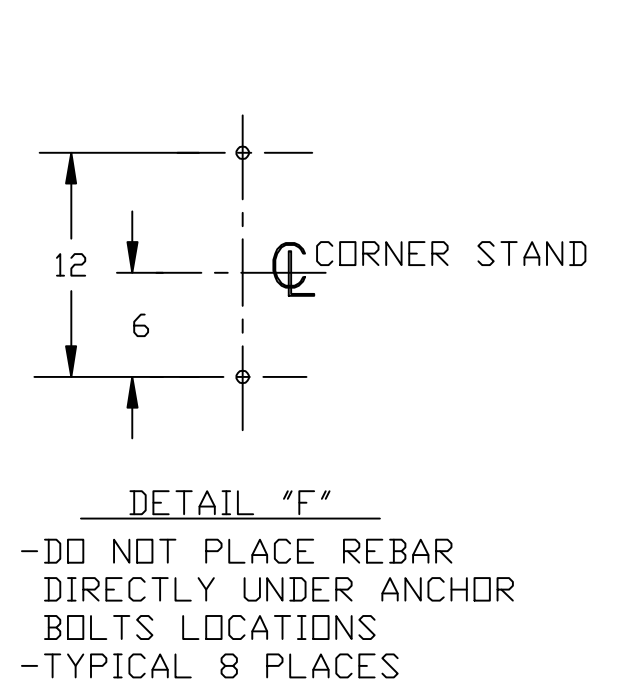
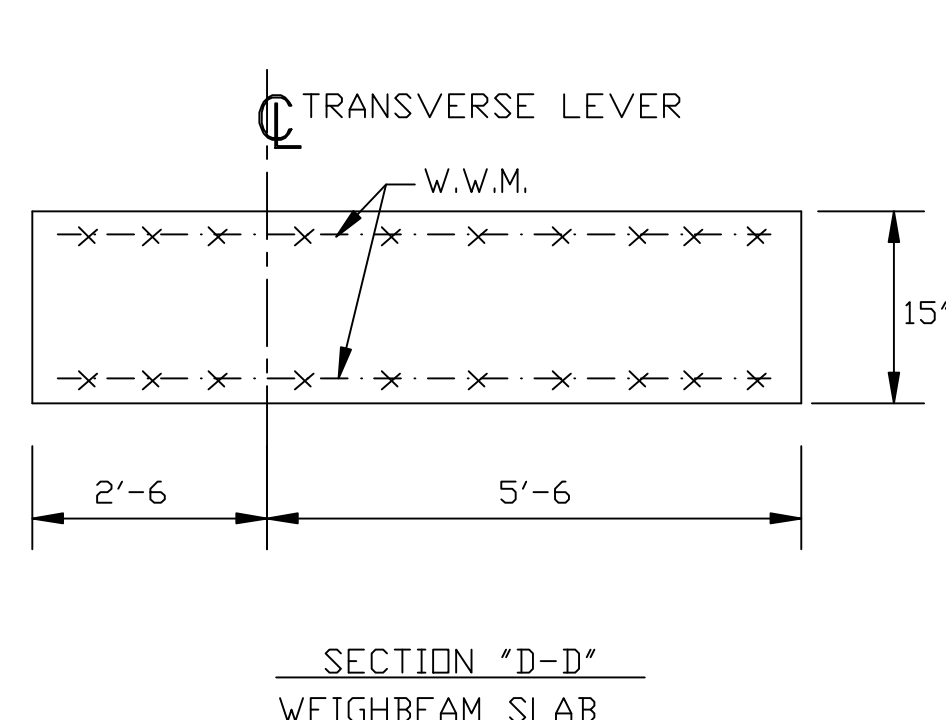
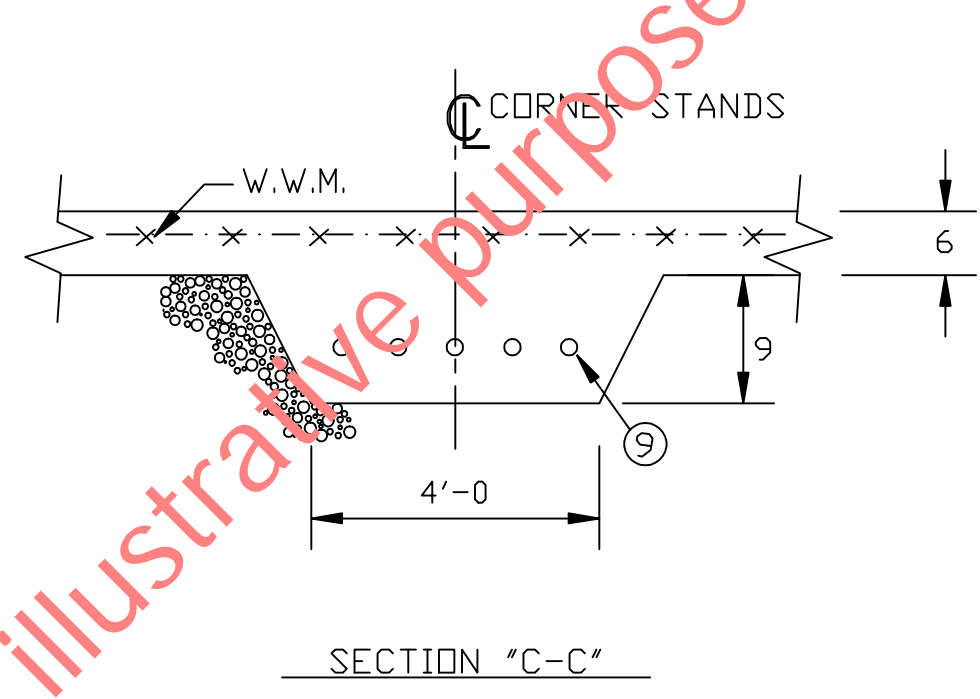
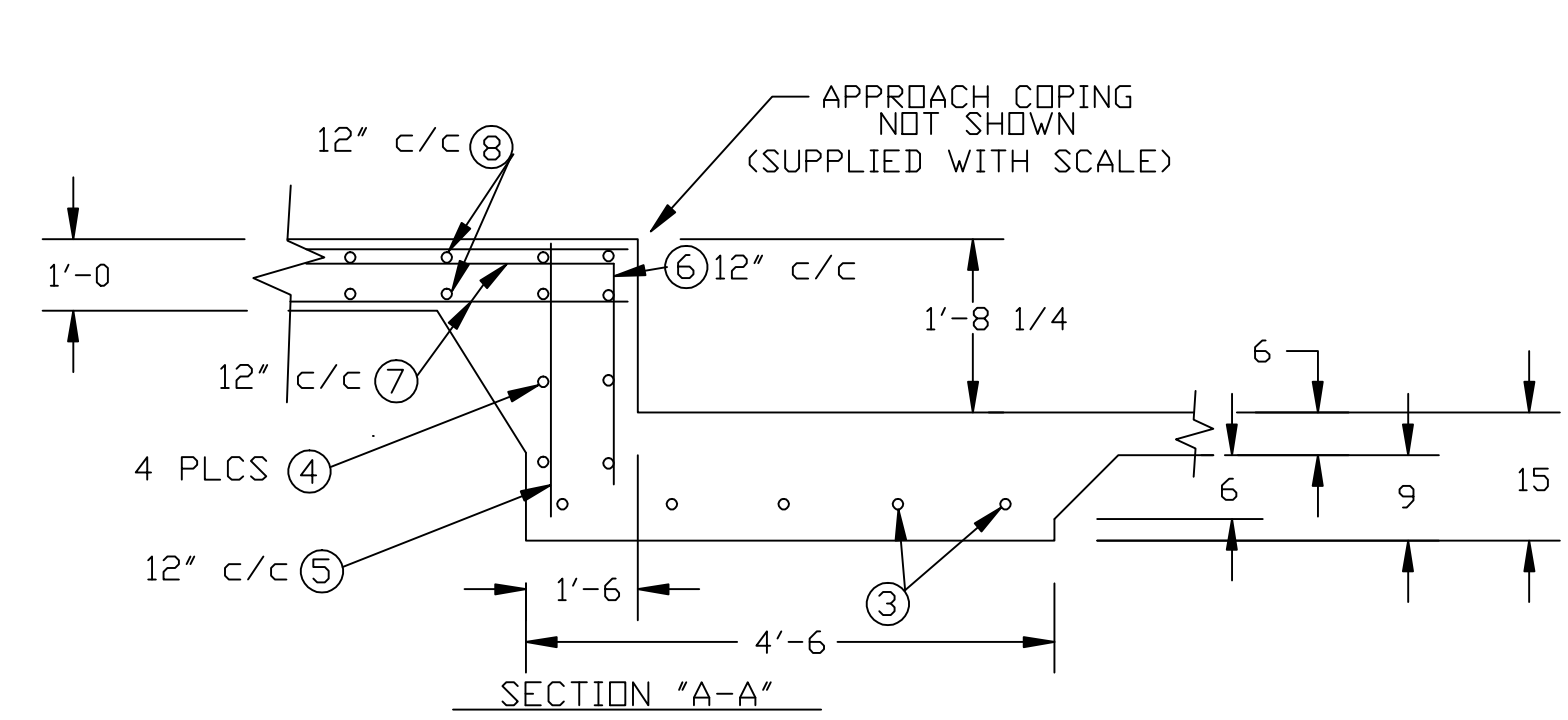
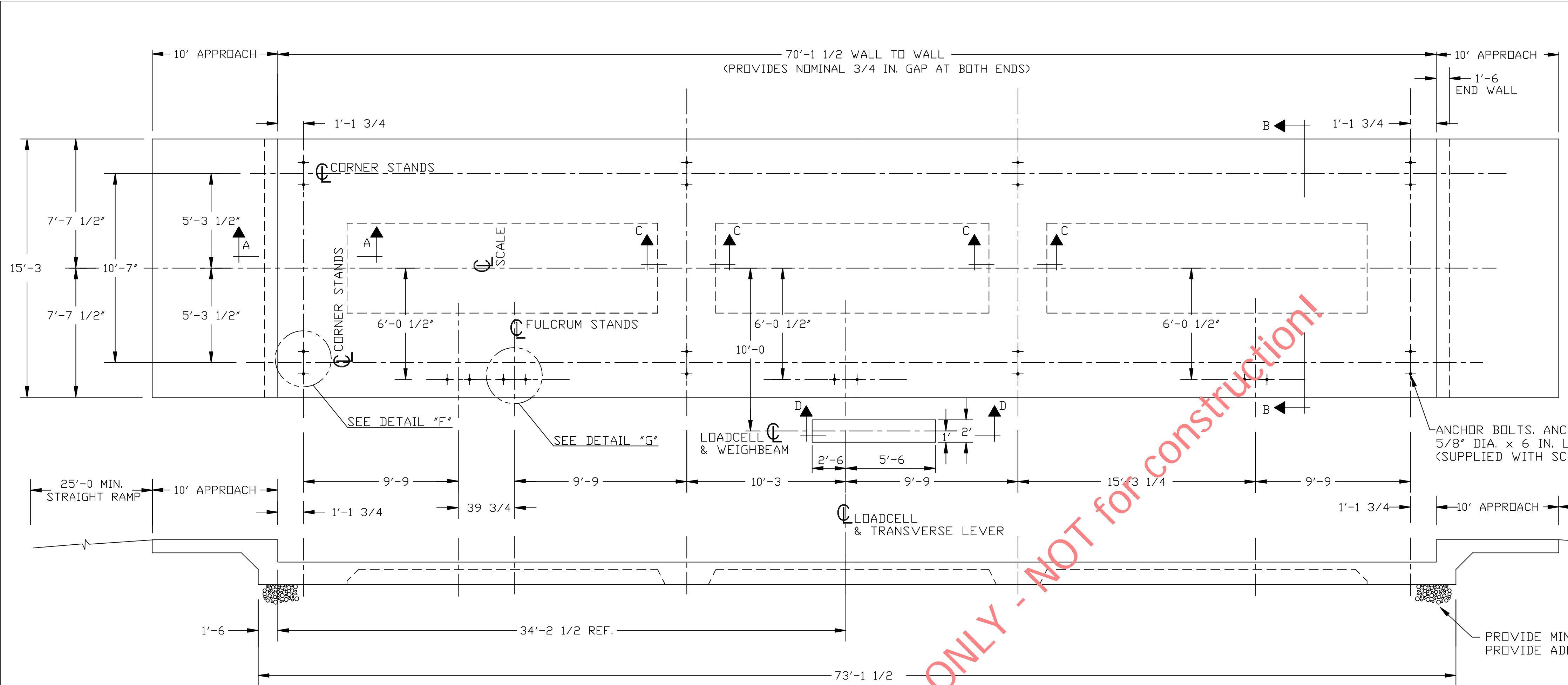
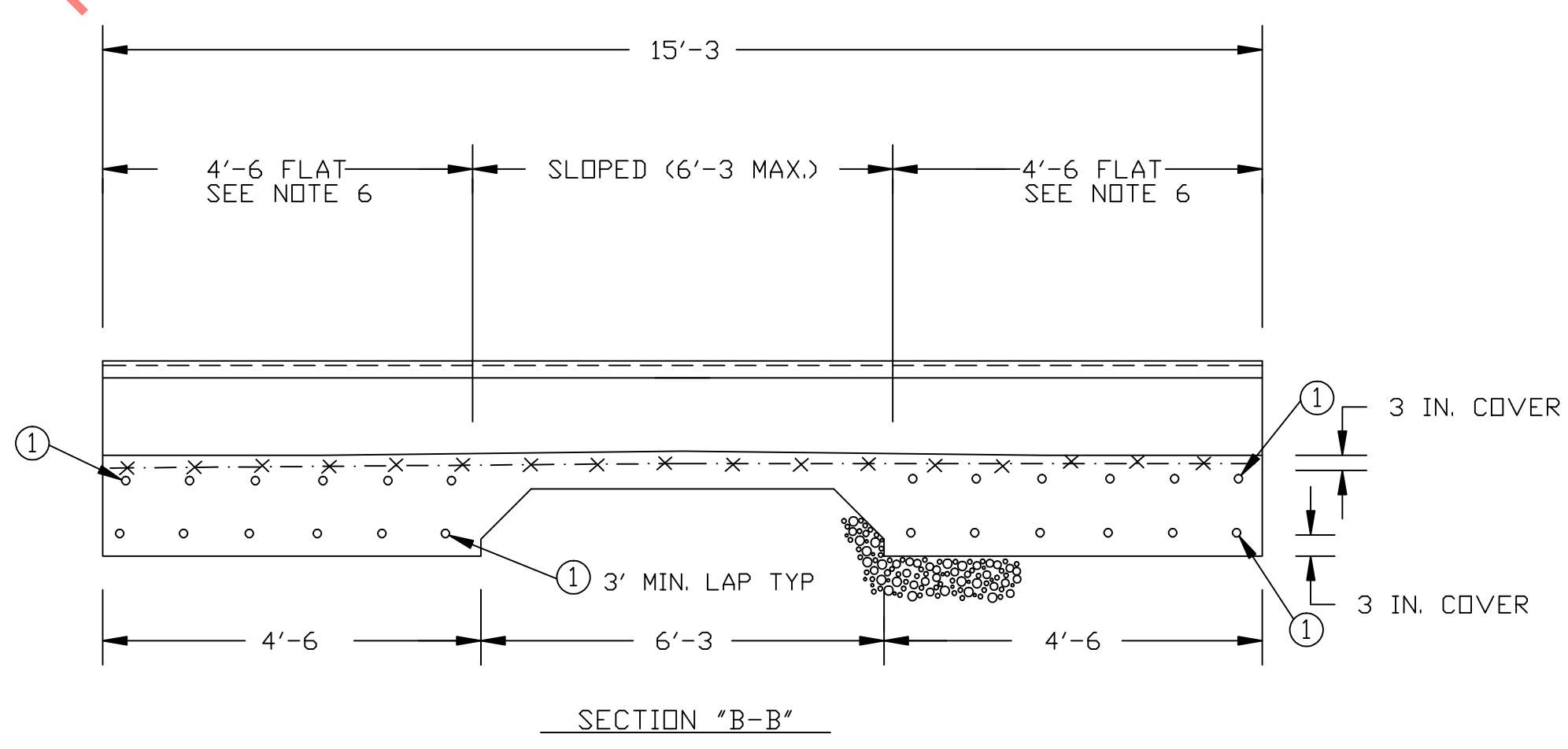


REINFORCING STEEL SCHEDULE						
USE A.S.T.M. A615 GRADE 60 MIN. DEFORMED REINFORCING ST'L ALL BENDING MUST COLD FORMING						
ITEM	QTY	DESCRIPTION	LENGTH			WEIGHT
			A	B	C	
1	48	#5 STRAIGHT	36'-6"			1833
2						
3	10	#5 STRAIGHT	14'-6"			152
4	8	#4 STRAIGHT	14'-6"			78
5	30	#4 STRAIGHT	2'-6"			50
6	30	#4 BENT	2'-6"	2'-6"		100
7	60	#4 STRAIGHT	9'-6"			381
8	40	#4 STRAIGHT	14'-6"			387
9	10	#5 STRAIGHT	14'-6"			152

MATERIAL SUMMARY:
 CONCRETE: 56 CU. YDS
 W.W.M.: 1080 SQ. FT. (W4/W4 4"/4" OR EQUAL)
 REINF. STEEL: 3,133 LBS.



- NOTES:
- FOUNDATION DESIGN IS BASED ON A MINIMUM SOIL BEARING CAPACITY OF 2000 LB/SQ. FT. FOR SOIL CONDITIONS WHICH DO NOT MEET THIS SPECIFICATION, CONSULT WITH THE THURMAN SCALE COMPANY.
 - THE FOUNDATION SHALL BE INSTALLED AT AN ELEVATION AND LOCATION TO INSURE ADEQUATE DRAINAGE AWAY FROM SCALE.
 - THE FOUNDATION SHALL BE POURED MONOLITHICALLY.
 - REINFORCING STEEL IS TO CONFORM TO ASTM A615 GRADE 60 SPECIFICATIONS.
 - CONCRETE OF 4000 PSI MINIMUM COMPRESSIVE STRENGTH WITH 5-7% AIR ENTRAINMENT IS REQUIRED FOR FOUNDATION.
 - TOP OF CONCRETE AT STAND LOCATIONS MUST BE LEVEL AND IN THE SAME ELEVATION PLANE WITHIN ±1/8 INCH.
 - EXCAVATION, FORMS, REINFORCING STEEL, AND CONCRETE FURNISHED BY OTHERS.
 - FOUNDATION REQUIREMENTS VARY FROM STATE TO STATE. CHECK WITH LOCAL WEIGHTS AND MEASURES DIVISION BEFORE CONSTRUCTION.
 - SCALE DECK IS SUPPLIED WITH REBAR GRID IN PLACE, READY TO POUR CONCRETE (APPROX. 13 CU. YDS. REQUIRED). CONCRETE OF 4000 PSI MIN. COMPRESSIVE STRENGTH WITH AIR-ENTRAINMENT OF 5% TO 7% IF SUBJECT TO FREEZE/THAW CYCLES. CONSOLIDATE CONCRETE INTO PLACE BY VIBRATING.



THIS DRAWING IS SUPPLIED AS CHECKED BELOW:

REFERENCE (ESTIMATES ONLY, NOT FOR CONSTRUCTION)

CERTIFIED FOR CONSTRUCTION, THURMAN#

CUSTOMER: _____ DATE: _____

CUSTOMER P.O.# _____

CUSTOMER APPROVAL, RETURN ONE COPY.

(ORDER ON HOLD UNTIL SIGNED COPY IS RETURNED)

APPROVED AS DRAWN, APPROVED BY: _____ DATE: _____

APPROVED AS NOTED, APPROVED BY: _____ DATE: _____

TOLERANCES (UNLESS OTHERWISE SPECIFIED) ± 1/8"

DIMENSIONS ARE IN INCHES UNLESS OTHERWISE SPECIFIED

THIRD ANGLE PROJECTION



This drawing is the property of Thurman Scale Company and is loaned to the recipient for his/her confidential use only. In consideration of the loan of this drawing, the recipient promises and agrees that it shall not be used in any way detrimental to the interest of Thurman Scale Company, that it shall be returned upon request, and that it shall not be reproduced, copied, loaned or otherwise disposed of, directly or indirectly without the express written consent of Thurman Scale Company.

TITLE: 8130 55K CLC 70' X 10'

SLAB (4 SECT. READY-TO-POUR)

DRAWING NUMBER: 92025-SL

REV: 0